

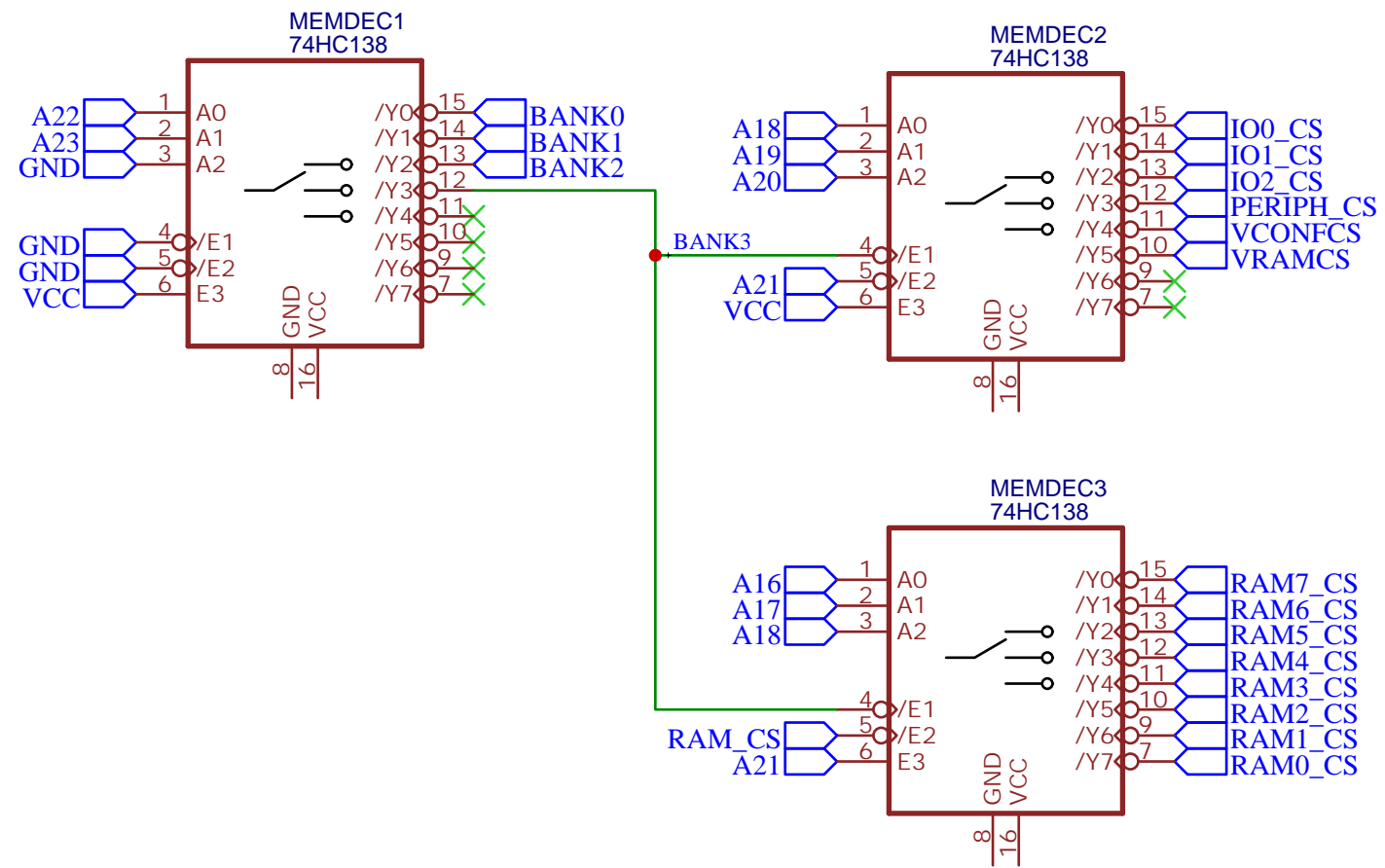


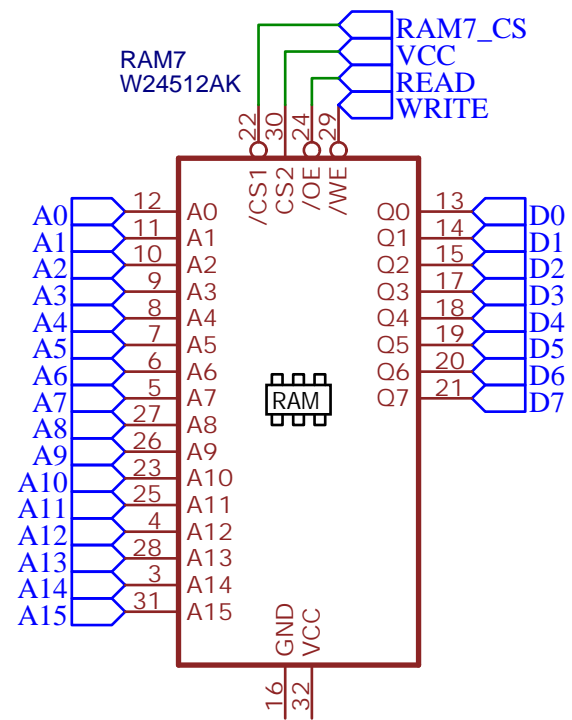
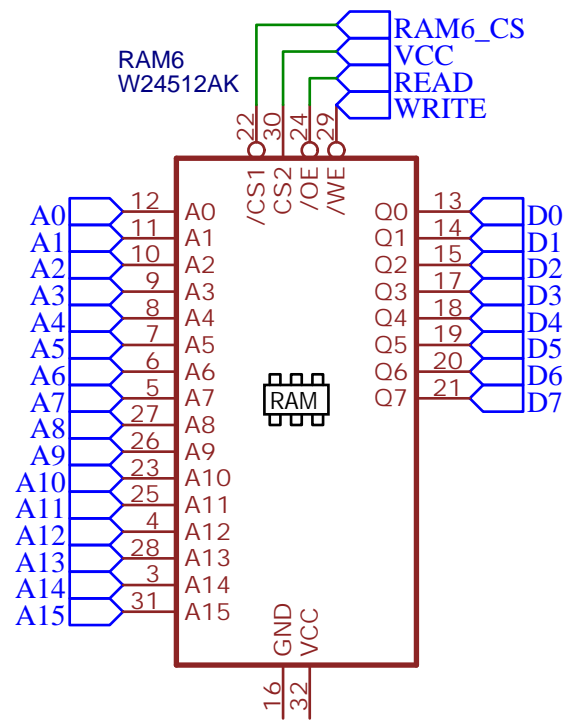
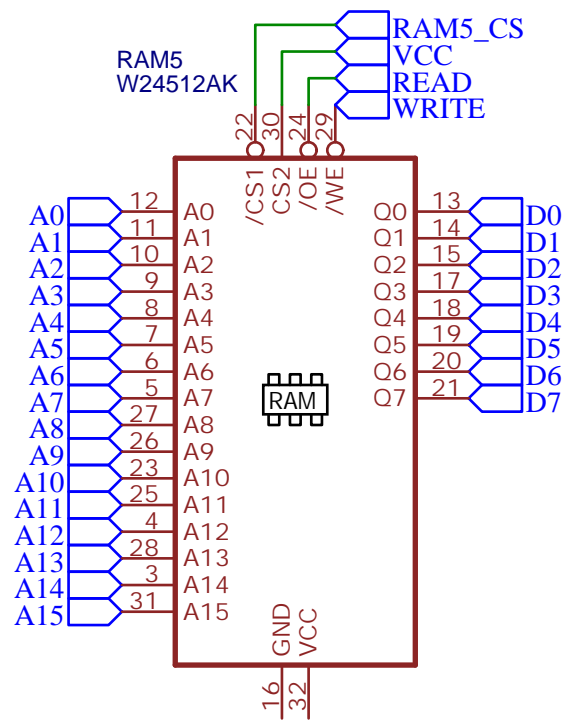
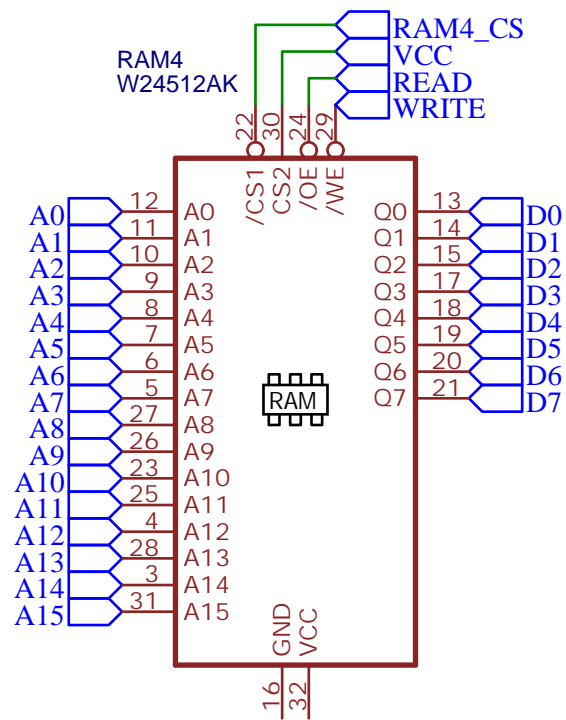
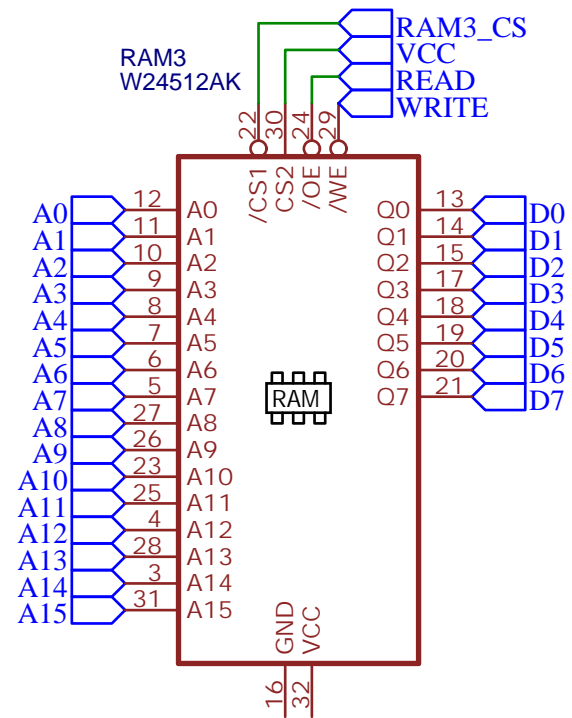
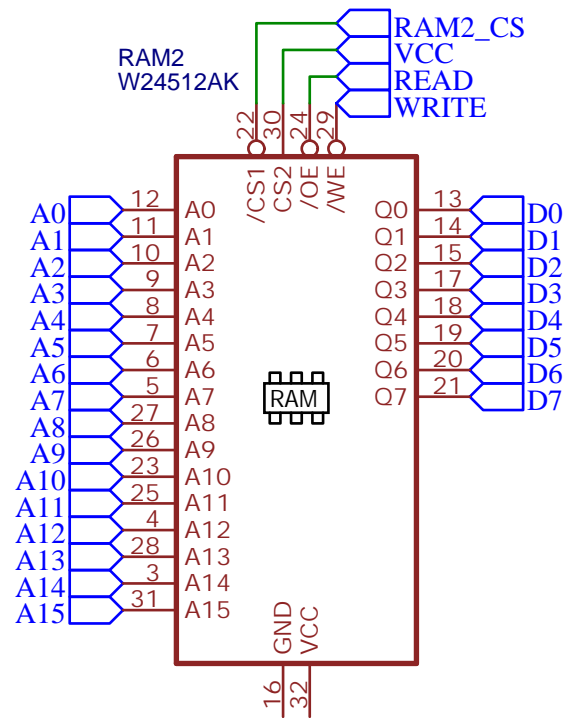
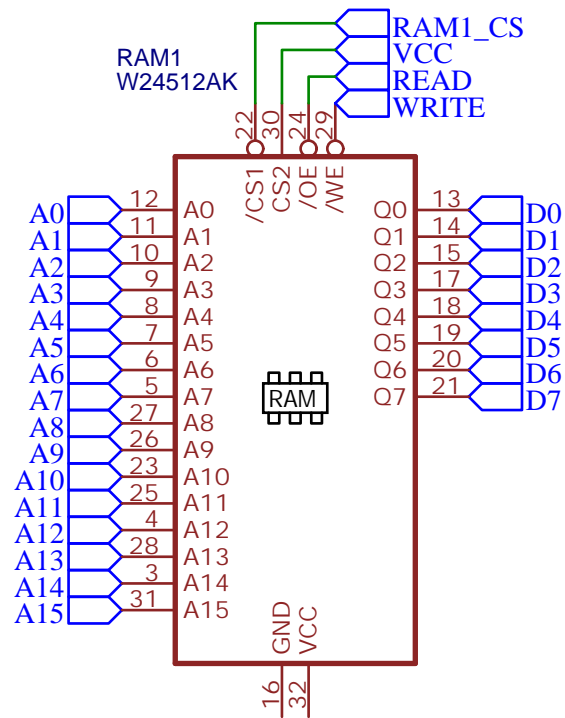
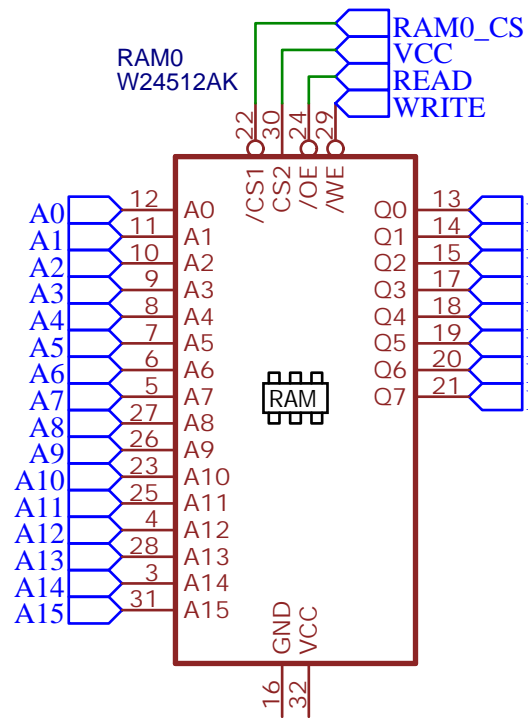




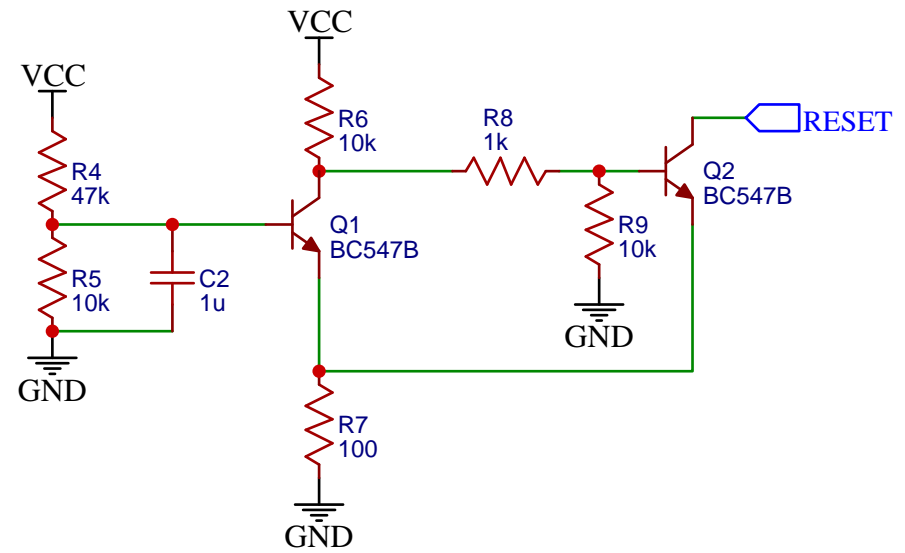
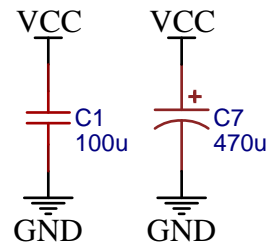
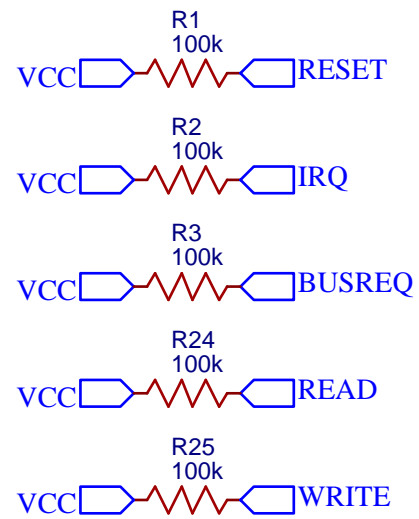
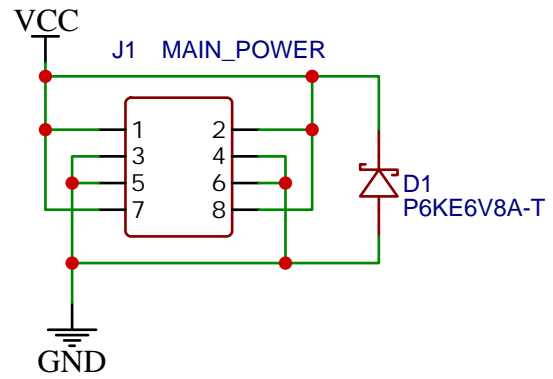
TITLE: Memory, clock and power		REV: 1.0
 	Company: JMC Lab Experience	Sheet: 1/6
	Date: 2022-01-09 Drawn By: JMC	





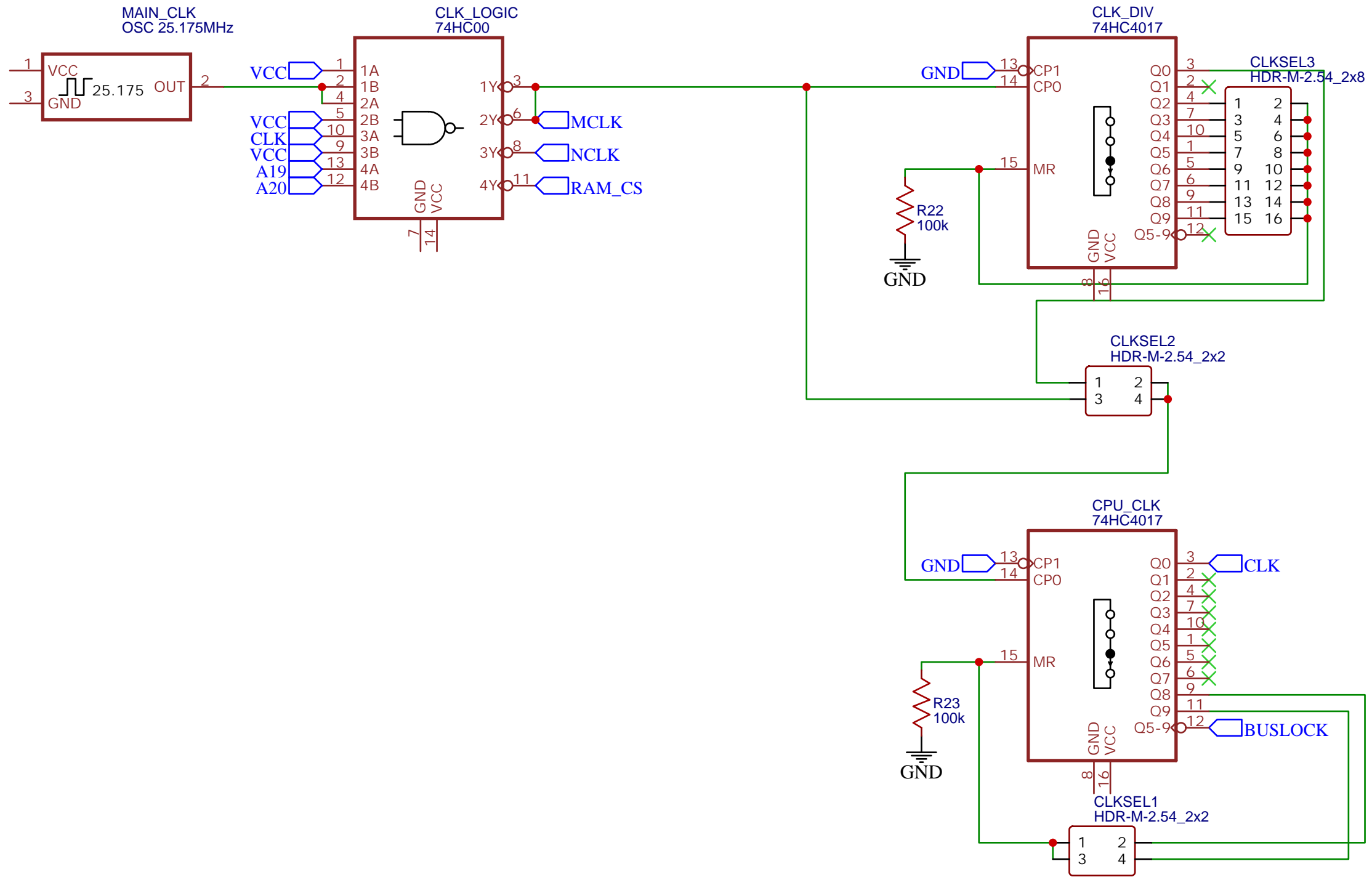
TITLE: Memory, clock and power		REV: 1.0
 	Company: JMC Lab Experience	Sheet: 2/6
	Date: 2022-01-09 Drawn By: JMC	





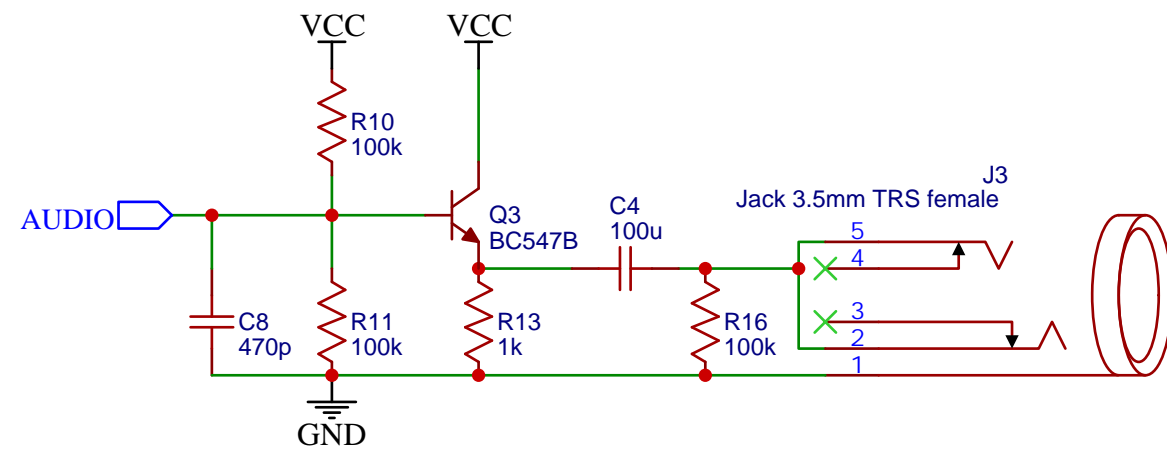
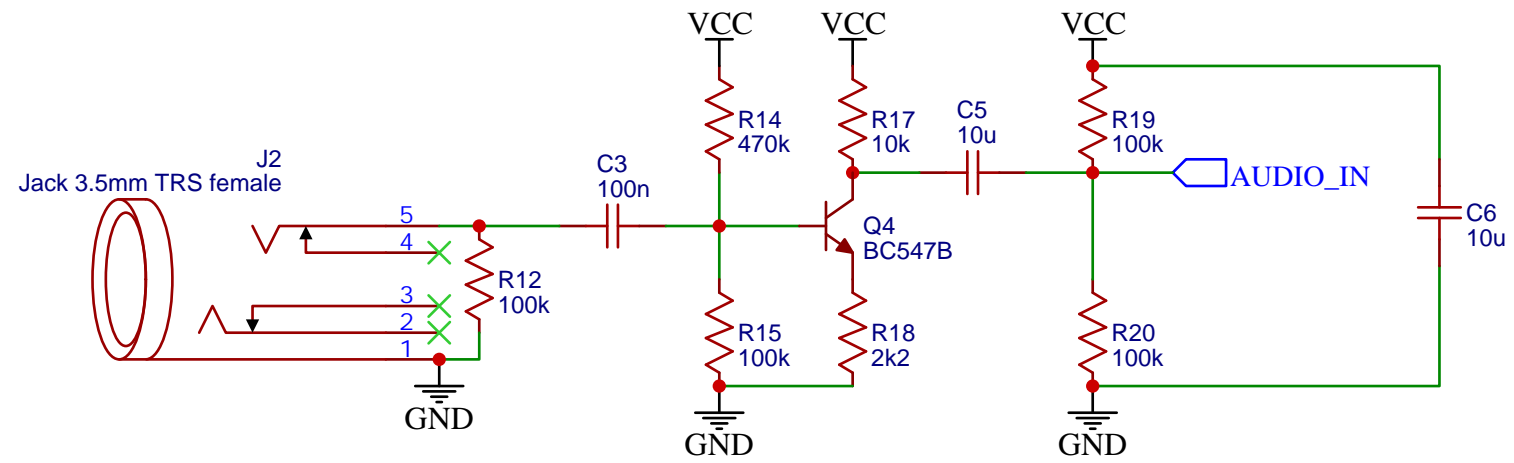
TITLE: Memory, clock and power		REV: 1.0
 	Company: JMC Lab Experience	Sheet: 3/6
	Date: 2022-01-09 Drawn By: JMC	





TITLE: Memory, clock and power		REV: 1.0
 	Company: JMC Lab Experience	Sheet: 4/6
	Date: 2022-01-09	Drawn By: JMC



TITLE: Memory, clock and power		REV: 1.0
 	Company: JMC Lab Experience	Sheet: 5/6
	Date: 2022-01-09 Drawn By: JMC	



TITLE: Memory, clock and power		REV: 1.0
 	Company: JMC Lab Experience	Sheet: 6/6
	Date: 2022-01-09	Drawn By: JMC